

# PRODUCT INFORMATION PACKET

Model No: 326TTFS16037

Catalog No: M909B

Vertical Pump Motor, 50 & 40 HP, 3 Ph, 60 & 50 Hz, 230/460 & 190/380 V, 1800 & 1500 RPM,  
326HPV Frame, TEFC



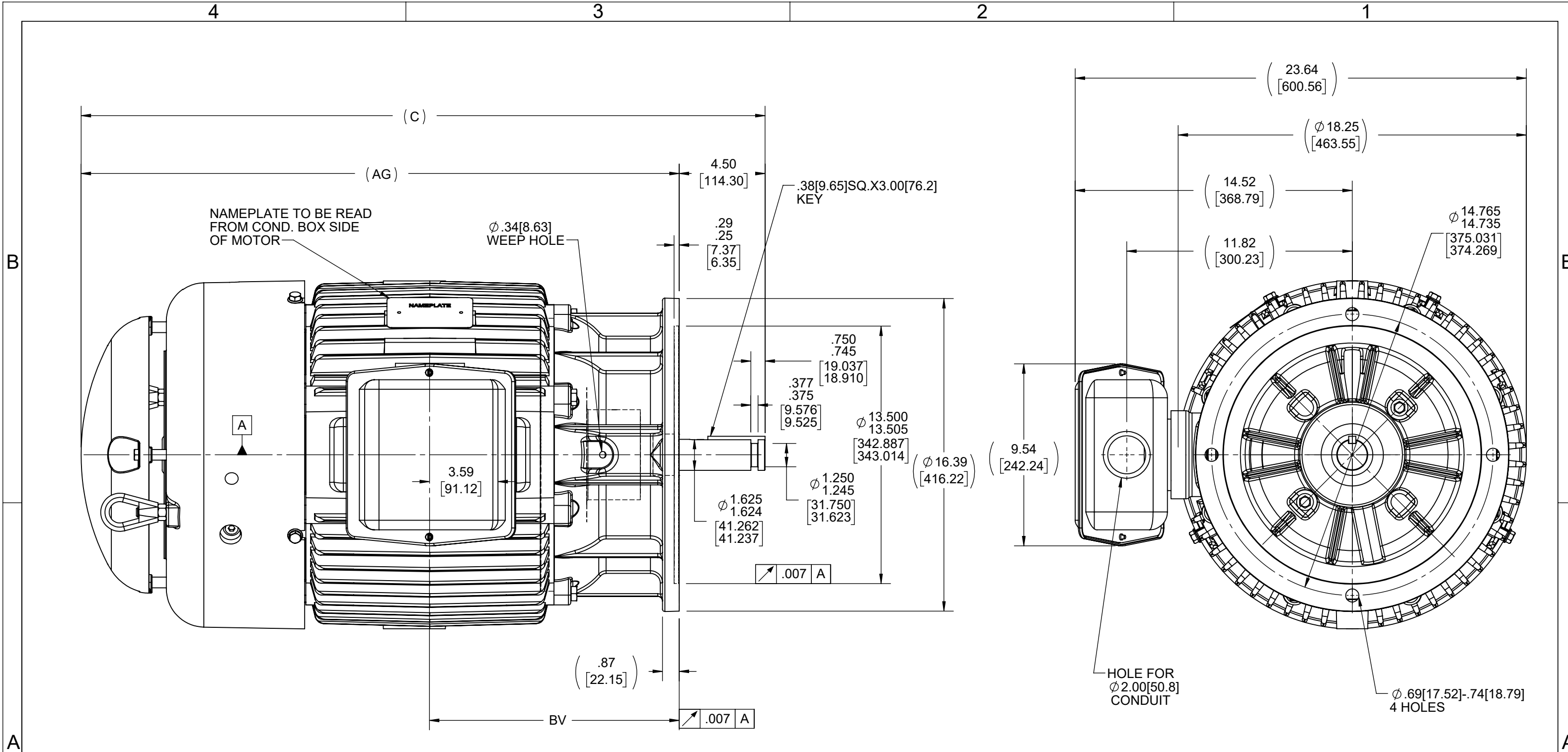
Regal and Marathon are trademarks of Regal Rexnord Corporation or one of its affiliated companies.  
©2024 Regal Rexnord Corporation, All Rights Reserved. MC017097E

### Nameplate Specifications

Phase	<b>3</b>	Output HP	<b>50 &amp; 40 Hp</b>
Output KW	<b>37.0 &amp; 30.0 kW</b>	Voltage	<b>230/460 &amp; 190/380 V</b>
Speed	<b>1775 &amp; 1475 rpm</b>	Service Factor	<b>1.15 &amp; 1.15</b>
Frame	<b>326HPV</b>	Enclosure	<b>Totally Enclosed Fan Cooled</b>
Thermal Protection	<b>No Protection</b>	Efficiency	<b>94.5 &amp; 94.1 %</b>
Ambient Temperature	<b>40 °C</b>	Frequency	<b>60 &amp; 50 Hz</b>
Current	<b>120/60 &amp; 118/59 A</b>	Power Factor	<b>82</b>
Duty	<b>Continuous</b>	Insulation Class	<b>F</b>
Design Code	<b>B</b>	KVA Code	<b>F</b>
Drive End Bearing Size	<b>311</b>	Opp Drive End Bearing Size	<b>311</b>
UL	<b>Recognized</b>	CSA	<b>Y</b>
CE	<b>Y</b>	IP Code	<b>43</b>
Number of Speeds	<b>1</b>		

### Technical Specifications

Electrical Type	<b>Squirrel Cage Induction Run</b>	Starting Method	<b>Across The Line</b>
Poles	<b>4</b>	Rotation	<b>Reversible</b>
Resistance Main	<b>.112 Ohms</b>	Mounting	<b>Round</b>
Motor Orientation	<b>Shaft Down</b>	Drive End Bearing	<b>Ball</b>
Opp Drive End Bearing	<b>Ball</b>	Frame Material	<b>Cast Iron</b>
Shaft Type	<b>HP</b>	Overall Length	<b>35.62 in</b>
Frame Length	<b>13.00 in</b>	Shaft Diameter	<b>1.625 in</b>
Shaft Extension	<b>4.50 in</b>	Assembly/Box Mounting	<b>F1/F2 CAPABLE</b>
Connection Drawing	<b>A-EE7308</b>	Outline Drawing	<b>B-SS28363-1300</b>



DASH	FRAME	C	AG	BV
1150	324HP	34.12[866.64]	29.62[752.34]	12.31[312.67]
1300	326HP	35.85[910.59]	31.35[796.29]	13.08[331.72]

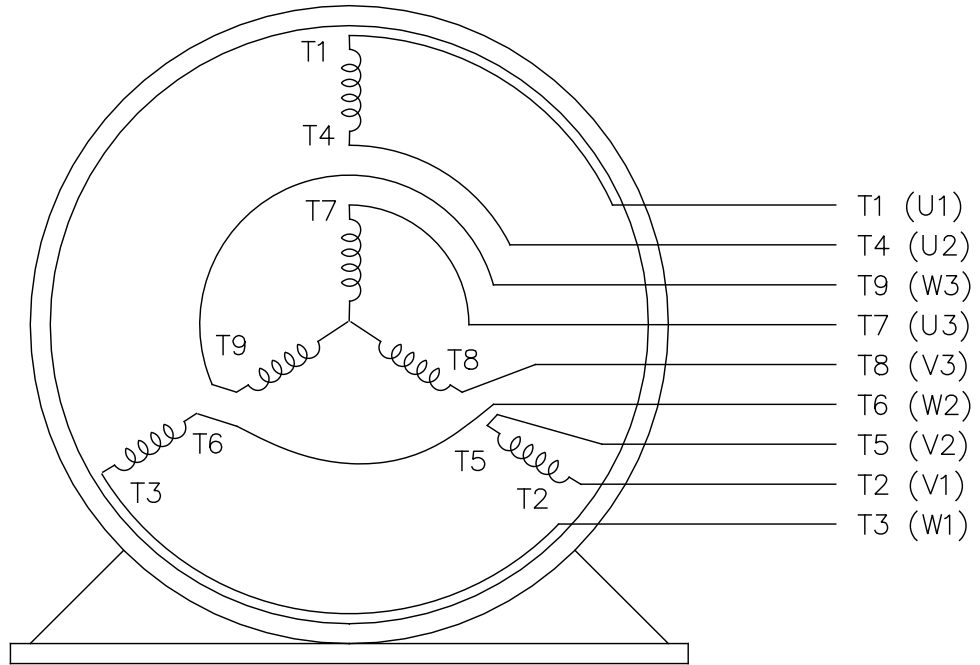
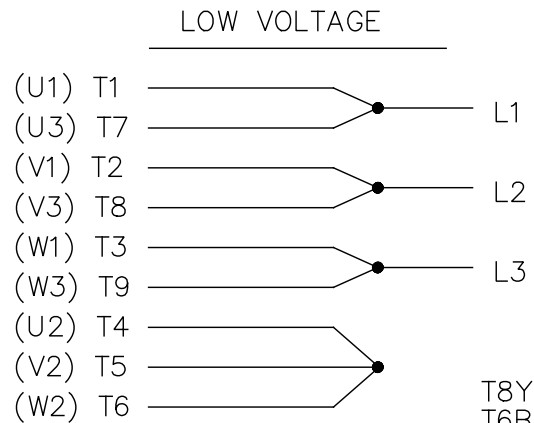
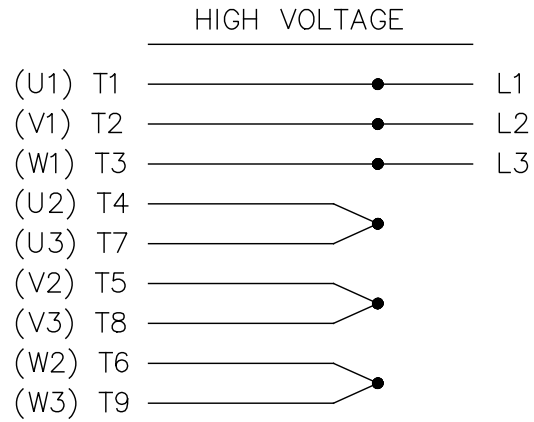
DRAWING REVISION P	REVISION BY NIV	REV DATE/© DATE 08/11/2022
REQUEST NUMBER	APPROVED BY NIV	DATE 08/11/2022
REQUEST NUMBER DESCRIPTION		
<small>COPYRIGHT (PER REVISION DATE) REGAL BELOIT AMERICA, INC. ALL RIGHTS RESERVED. PROPRIETARY AND CONFIDENTIAL INFORMATION - THIS DOCUMENT IS THE PROPERTY OF REGAL BELOIT AMERICA, INC. ("OWNER") AND CONTAINS OWNER'S PROPRIETARY INFORMATION. ANY PERSON, CORPORATION OR OTHER FIRM RECEIVING IT IS DEEMED, BY RECEIVING IT, TO AGREE THAT IT, AND/OR ANY PART OF IT, SHALL NOT BE DISCLOSED TO ANY PERSON, CORPORATION OR OTHER ENTITY, DUPLICATED, AND/OR USED, EXCEPT AS EXPRESSLY APPROVED IN WRITING IN ADVANCE BY OWNER. THIS DOCUMENT SHALL BE RETURNED TO OWNER UPON REQUEST. IT MAY BE SUBJECT TO CERTAIN RESTRICTIONS UNDER APPLICABLE EXPORT CONTROL LAWS AND REGULATIONS.</small>		

TOLERANCES (EXCEPT AS NOTED):  
 DEC. INCH mm ANGLE  
 .X ±0.1 [±3] ±7' 30"  
 .XX ±0.03 [±0.8]  
 .XXX ±0.005 [±0.13]  
 .XXXX ±0.0005 [±0.013]  
 REMOVE BURRS & BREAK SHARP EDGES: .003/.015 [.08/.38] X 45°  
 CORNER FILLETS: R.02 [.5]  
 MACHINED SURFACES: 200/5.1 INCH/mm  
 mm DIMENSIONS IN [BRACKETS] ARE FOR REFERENCE ONLY

DRAWN BY DRS	DATE 11-22-1996
APPROVED BY ML	DATE 11-27-1996
REFERENCE	THIRD ANGLE PROJECTION

		Regal Beloit America, Inc.	
DESCRIPTION		OUTLINE	
320HP FR. - BB - TS - TEFC			
MATERIAL	PROCESS/FINISH	SIZE B	DRAWING NUMBER SS28363
		SHEET 1 OF 1	

THREE PHASE  
DUAL VOLTAGE MOTOR



VIEW OF TERMINAL END

REF.  
WINDING DIAGRAM

T8Y, T2Y, T2BL, T4BX, T2EC, T2G  
T6BZ, T2B, T6BL, T4AV, T6B, T4B

OPTIONAL CORD  
CONNECTION

L1 WHITE  
L2 RED  
L3 BLACK

DRAWING REVISION	REVISION BY	DATE	TOLERANCES UNLESS OTHERWISE SPECIFIED	DRAWN BY:	<b>Trans-Power</b>
ECO	APPROVED BY	DATE	DEC. mm INCH ANGLE .X ±2.5 [±0.1] ±0.5° .XX ±0.51 [±0.02] .XXX ±0.127 [±0.005] .XXXX ±0.0127 [±0.0005]	AS DATE: 02/20/2017	
ECO DESCRIPTION NEW DRAWING			REMOVE BURRS & BREAK SHARP EDGES .08/.38 [0.03/.015] X 45° CORNER FILLETS R.51 [0.2]	APPROVED BY:	DESCRIPTION
<small>COPYRIGHT KAMAN INDUSTRIAL TECHNOLOGIES INC. VENDOR IDENTIFICATION TNP ALL RIGHTS RESERVED. PROPRIETARY AND CONFIDENTIAL INFORMATION - THIS DOCUMENT IS THE PROPERTY OF VENDOR IDENTIFICATION TNP ("OWNER") AND CONTAINS OWNER'S PROPRIETARY INFORMATION. ANY PERSON, CORPORATION OR OTHER FIRM RECEIVING IT IS DEEMED, BY RECEIVING IT, TO AGREE THAT IT, AND/OR ANY PART OF IT, SHALL NOT BE DISCLOSED TO ANY PERSON, CORPORATION OR OTHER ENTITY, DUPLICATED, AND/OR USED, EXCEPT AS EXPRESSLY APPROVED IN WRITING IN ADVANCE BY OWNER. THIS DOCUMENT SHALL BE RETURNED TO OWNER UPON REQUEST. IT MAY BE SUBJECT TO CERTAIN RESTRICTIONS UNDER APPLICABLE EXPORT CONTROL LAWS AND REGULATIONS.</small>			MACHINED SURFACES INCH $\sqrt[125]{\text{mm}}$ $\sqrt[3.2]{\text{mm}}$	DATE: 02/20/2017	3 PHASE - DUAL VOLTAGE
			INCH SHOWN IN [BRACKETS]	REFERENCE EE7308	MATERIAL
				THIRD ANGLE PROJECTION	SIZE DWG NO A EE7308TP
					SHEET 1



P.O. BOX 8003  
WAUSAU, WI 54401-8003  
PH. 715-675-3311

DATA VOLTS: 460

**CERTIFICATION DATA SHEET**

CUSTOMER: \_\_\_\_\_ CUSTOMER P.O. #: \_\_\_\_\_  
 ORDER #: \_\_\_\_\_ REFERENCE MODEL #: 326TTFS16037  
 CONN. DIAGRAM: A-EE7308 CAT #: M909B  
 OUTLINE: B-SS28363-1300 CUSTOMER PART #: \_\_\_\_\_  
 WINDING: K3264168 NONE 1 MOUNTING: F1/F2 CAPABLE  
 SPEED: \_\_\_\_\_

**TYPICAL MOTOR PERFORMANCE DATA**

HP	KW	SYNC RPM	FL RPM	FRAME	ENCLOSURE	TYPE	KVA CODE	DESIGN
50	37	1800	1775	326HPV	TEFC	TFN	F	B

PH	HZ	VOLTS	AMPS	START TYPE	DUTY	INSL	S.F.	AMB	ELEV.
3	60/50	230/460#190/380	120/60&118/59	ACROSS THE LINE	CONT	F	1.15	40	3300

F.L. EFF	94.5	3/4 LD EFF	94.5	1/2 LD EFF	94.5	GTD EFF	ELECT. TYPE
F.L. PF	82.0	3/4 LD PF	79.0	1/2 LD PF	71.0	94.1	SQ CAGE IND RUN

F.L. TORQUE	LR AMPS @ 460 V	L.R. TORQUE	B.D. TORQUE	F.L. RISE (°C)
148 LB-FT	335	250 LB-FT 169%	340 LB-FT 230%	75

@ 3 FT.	POWER	ROTOR WK²	MAX. LOAD WK²	SAFE STALL TIME	STARTS/HOUR	MOTOR WGT
65 dBA	74 dBA	9.7 LB-FT²	325 LB-FT²	25 SEC.	2	775 LB.

**\*\*\* SUPPLEMENTAL INFORMATION \*\*\***

DE BRACKET TYPE	ODE BRACKET TYPE	MOUNT TYPE	MOTOR ORIENTATION	SEVERE DUTY	HAZARDOUS LOCATION	DRIP COVER	SCREENS	PAINT
P-BASE	STANDARD	ROUND	SHAFT DOWN	NO	NONE	YES	NONE	BLUE (ENAMEL)

BEARINGS		GREASE	SHAFT TYPE	SPECIAL DE	SPECIAL ODE	SHAFT MATERIAL	FRAME MATERIAL
DE	ODE	POLYREX EM	HP	NONE	NONE	1045 HOT ROLLED (C-204)	CAST IRON
BALL	BALL						
311	311						

THERMOSTATS	PROTECTORS	WDG RTD's	BRG RTD's	THERMISTORS	CONTROL	SPACE HEATERS
NONE	NOT	NONE	NONE	NONE	FALSE	NA

R1 (ohms/ph)	R2 (ohms/ph)	X1 (ohms/ph)	X2 (ohms/ph)	Xm (ohms/ph)	VIBRATION (in/sec)	FLOAT
0.068	0.062	0.483	0.648	11.068	0.150	ODE

* N O T E S *	INVERTER TORQUE: NONE INV. HP SPEED RANGE: NONE					
	ENCODER: NONE NONE NONE					
	BRAKE: NONE NONE					
	FT-LB: NA VOLTAGE: NONE					
	UL: V-INS, CONST UL REC					

PREPARED BY: FAREEDA DUDEKULA  
 DATE: 9/11/2018

Data Sheet

Date: 11/30/2018  
 Customer: \_\_\_\_\_  
 Attention: \_\_\_\_\_  
 Submitted by: FAREEDA DUDEKULA



326TTFS16037

Submittal

Data @ 460 V

Motor Load Data

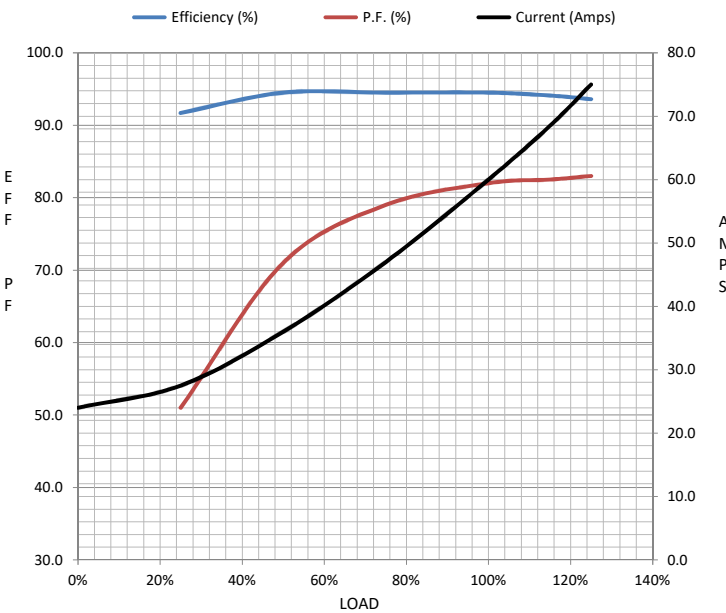
Load	0%	25%	50%	75%	100%	115%	125%	LR
Current (Amps)	24.0	27.5	36.0	47.0	60.0	68.5	75.0	335
Torque (ft-lb)	0.00	36.6	73.5	111	148	170	185	250
RPM	1800	1795	1788	1782	1775	1,772	1770	0
Efficiency (%)		91.7	94.5	94.5	94.5	94.1	93.6	
P.F. (%)	4.0	51.0	71.0	79.0	82.0	82.5	83.0	33.0

Motor Speed Data

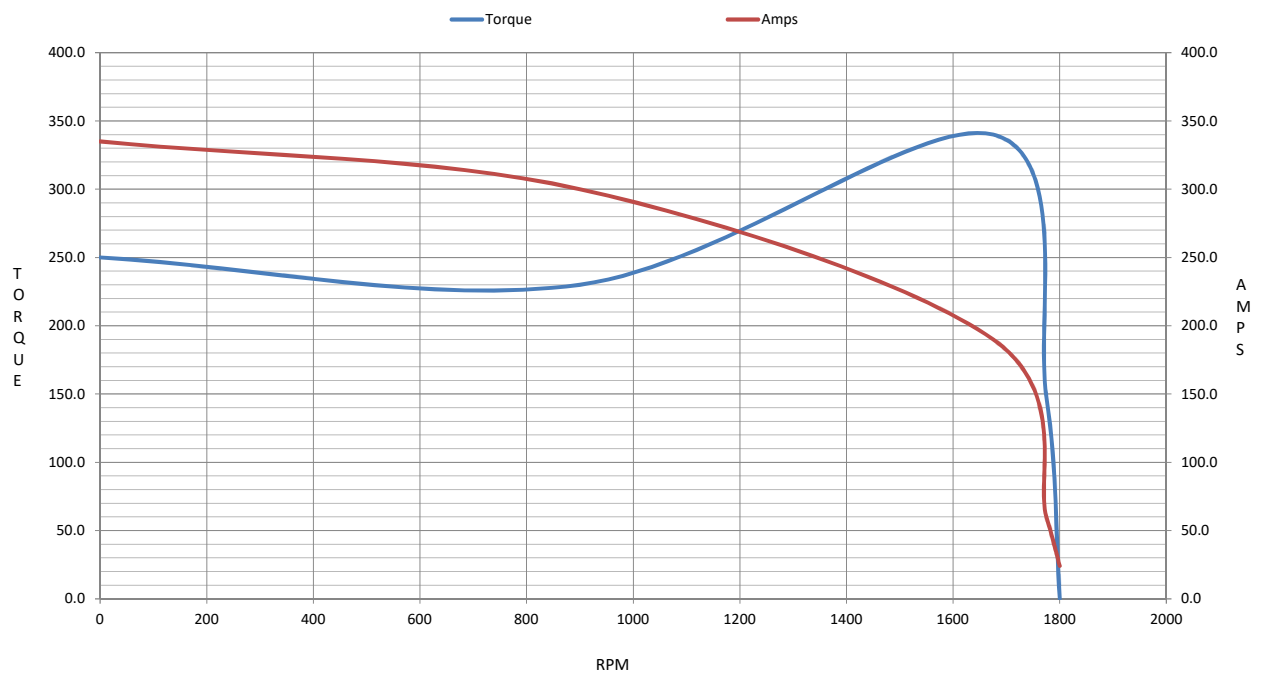
	LR	Pull-Up	BD	Rated	Idle
Speed (RPM)	0	900	1675	1775	1800
Current (Amps)	335	300	190	60.0	24.0
Torque (ft-lb)	250	230	340	148	0.00

Information Block

HP	50.0			
Sync. RPM	1800			
Frame	326			
Enclosure	TEFC			
Construction	TFS			
Voltage	230/460#190/380 V			
Frequency	60 Hz			
Design	B			
LR Code letter	F			
Service Factor	1.15			
Temp Rise @ FL	75 °C			
Duty	CONT			
Ambient	40 °C			
Elevation	1,000 feet			
Rotor/Shaft wk <sup>2</sup>	9.7 Lb-Ft <sup>2</sup>			
Ref Wdg	K3264168 NONE			
Sound Pressure @ 1M	65 dBA			
VFD Rating	NONE			
Outline Dwg	B-SS28363-1300			
Conn. Diag	A-EE7308			
Additional Specifications:				
0				
0				
EQUIV CKT (OHMS / PHASE)				
R1	R2	X1	X2	Xm
0.0680	0.0620	0.4830	0.6480	11.0680



Speed - Torque Curve



## EC Declaration of Conformity

The undersigned representing  
the manufacturer:

Regal Beloit America  
100 East Randolph St.  
Wausau, WI 54401

and the authorized representative  
established within the Community:

Marathon Electric UK  
6F Thistleton Road Ind. Estate  
Market Overton  
Oakham, Rutland LE15 7PP UK

are committed to providing customers with products that comply with applicable regulations and international protocols to which they are subject, including the requirements of the European Parliament Directive on the Harmonization of the laws relating to electrical equipment designed for use within certain voltage limits (2014/35/EU).

Regal Beloit America declares that the following product(s), to which this declaration relates, are in conformity with the relevant sections of the EC standards listed below.

This statement supersedes any statements previously issued pertaining to the product(s) listed below and is subject to change without notice.

Model No : 326TTFS16037

(Model No. may contain prefix and/or suffix characters)

Catalog No : M909B

Rework No : N/A

Directives :

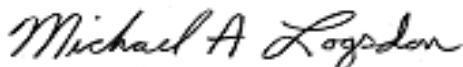
Low Voltage Directive 2014/35/EU

Harmonized Standards Used :

EN 60034-1: 2010 (IEC 60034-1: 2010)

EN 60034-5: 2001/A1:2007 (IEC 60034-5: 2000/A1:2006)

Authorized Representative:



Michael A. Logsdon  
Vice President, Technology

Authorized Representative in the Community:



Julian Clark  
Marketing Engineer

Created on 09/01/2022

**CE 22**